



The AL50C is a portable console, designed to optimize the machine handling and control.

Using a wired-connection, it can be implemented as SLAVE in a CAN network and supplied from an external power supply.

The AL50C is equipped with a lateral emergency button and single axle proportional joysticks.

The graphic of the pushbutton is fully customizable in color, graphics and company logo.



TECHNICAL FEATURES

MASTER CODE		AL50R
POWER SUPPLY		EXTERNAL POWER SUPPLY: 9-36VDC
SWITCH		UP TO N.8 ON/OFF TOGGLE SWITCH (SEE «CONFIGURATION» FOR DETAILS) N. 1 EMERGENCY STOP BUTTON ON REQUEST: N.1 PUSHBUTTON
LED		UP TO N.4 PROGRAMMABLE LED (SEE «CONFIGURATION» FOR DETAILS)
JOYSTICK		UP TO N.4 PROPORTIONAL ONE AXLE JOYSTICK (SEE «CONFIGURATION» FOR DETAILS)
CAN BUS	1 PORT	2.0B COMPLIANT – (11, 29 BIT) – ISO 11898-2 UP TO 1MBIT/S
CAN BUS PROTOCOLS		CAN OPEN (CIA DS401 DEVICE PROFILE FOR GENERIC I/O MODULE, WITH DS306 EDS FILE) ON REQUEST: SAE J1939
CONNECTIONS		SORIAU CONNECTOR for SUPPLY AND COMMUNICATION WITH INCLUDED CAP PORTECTION IP65
RADIO		Available on AL50R product. See the dedicated datasheet for further informations.
CASE		PA, BLACK
WORKING TEMPERATURE		-40°C +80°C
PROTECTION		IP 64





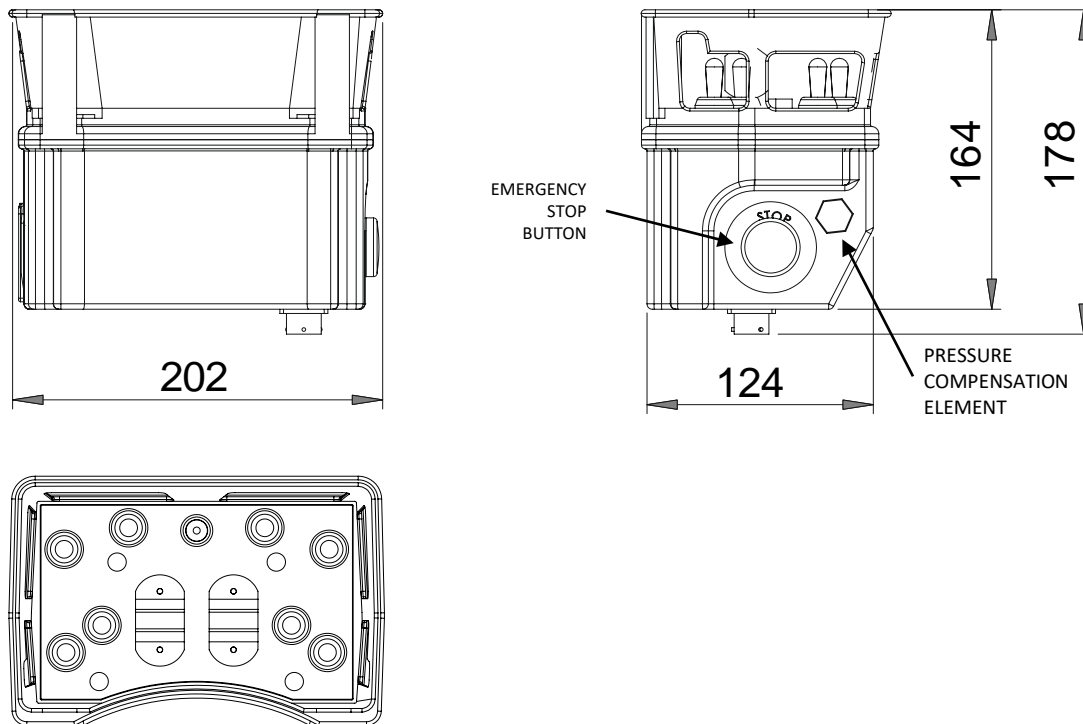
STANDARDS

ELECTROMAGNETIC (EMC)	ACCORDING TO DIRECTIVE 2014/30/EU: EN 61000-6-4 EN 61000-6-2 EN 50498
PERFORMANCE AND SAFETY INTEGRITY LEVEL	PLc – SIL1 (SINGLE-CHANNEL INTERNAL SCHEME)
ACCORDING WITH THE EN50498 THE DEVICE MEETS THE TECHNICAL SPECIFIC REQUIREMENTS OF 2004-104 DIRECTIVE (AUTOMOTIVE).	

ELECTRONIC FEATURES

SLAVE USAGE	EDS FILE
PROGRAMMING	FIRMWARE UPLOAD BY CAN BUS WITH ALOADER SOFTWARE TOOL

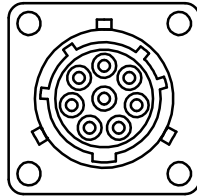
SIZE (mm)





CONNECTIONS PINOUT

PIN	DESCRIPTION
1	NEGATIVE POWER SUPPLY
2	POSITIVE POWER SUPPLY
3	CAN H
4	CAN L
5	EMERGENCY BUTTON DRY CONTACT
6	EMERGENCY BUTTON DRY CONTACT



SOURIAU CODE: UT012JCS

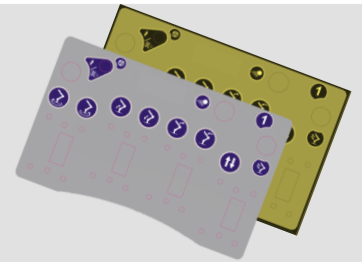


FEATURES

SHOULDER AND WAIST BELT
Included

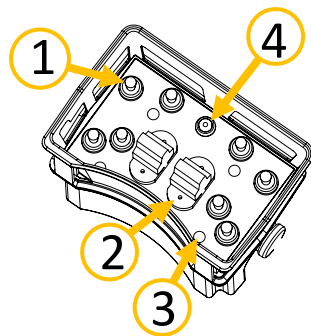


CUSTOMIZABLE KEYBOARD GRAPHIC

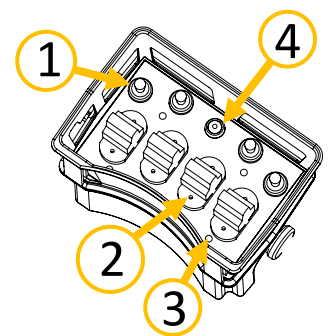


STANDARD CONFIGURATIONS

1	
1	N° 8 ON / OFF TOGGLE SWITCHES
2	N° 2 PROPORTIONAL JOYSTICK (1 AXLE)
3	N° 4 PROGRAMMABLE LED
4	ON REQUEST: N°1 PUSHBUTTON



2	
1	N° 4 ON / OFF TOGGLE SWITCHES
2	N° 4 PROPORTIONAL JOYSTICK (1 AXLE)
3	N° 4 PROGRAMMABLE LED
4	ON REQUEST: N°1 PUSHBUTTON



Other configurations are available on request



ALMEC
MECHATRONICS

NOTE