



The ALMPAD is a keypad especially designed for harsh environment applications.

It has an accelerator knob with a stronger gear feeling and 8 push-buttons with backlight and up to 3 status led for each one.

It can be used on construction, fire fighting, agricultural and waste collection machinery, etc. The graphic pictograms on the push buttons can be customized.



TECHNICAL FEATURES

MASTER CODE		ALMPAD.378
POWER SUPPLY		9-36 VDC - CURRENT ABSORPTION $\leq 10W$
BUTTONS		No. 8 FRONTAL KEYS (WITH INTEGRATED BACKLIGHT SPOTLIGHTS) No. 5 INTEGRATED ON THE KNOB (4 ON CROSS POSITION + 1 ON THE TOP) MIN. OPERATIONS: 50,000 times
LED	TOTAL 24	No. 3 PROGRAMMABLE RED SPOTLIGHT LEDS INTEGRATED ON EACH PUSH BUTTON GREEN BACKLIGHT COLOR
KNOB		ROTATION WITH 18 STEPS WITH DETENT 30,000 TURNS OF LIFE SPAN
BUZZER		YES
CAN BUS	1 PORT	CAN NET CONNECTION COMPATIBLE WITH CANopen and J1939
CONNECTION		CONNECTORIZED
WORKING TEMPERATURE		-30°C +70°C
MATERIAL		SILICA GEL FRONT SHELL, ENGINEERING PLASTIC FOR REAR





ELECTRONIC FEATURES

SLAVE USAGE

OBJECT DICTIONARY SUPPLIED

STANDARDS

EMC

PULSE GROUP: EN61000-4-4 : 2004 ±4KV
 SURGE SHOCK: EN61000-4-5 : 2006 ±2KV
 STATIC ELECTRICITY: ISO 10605 // EN 55022 : 2010 // EN 55024 : 2010

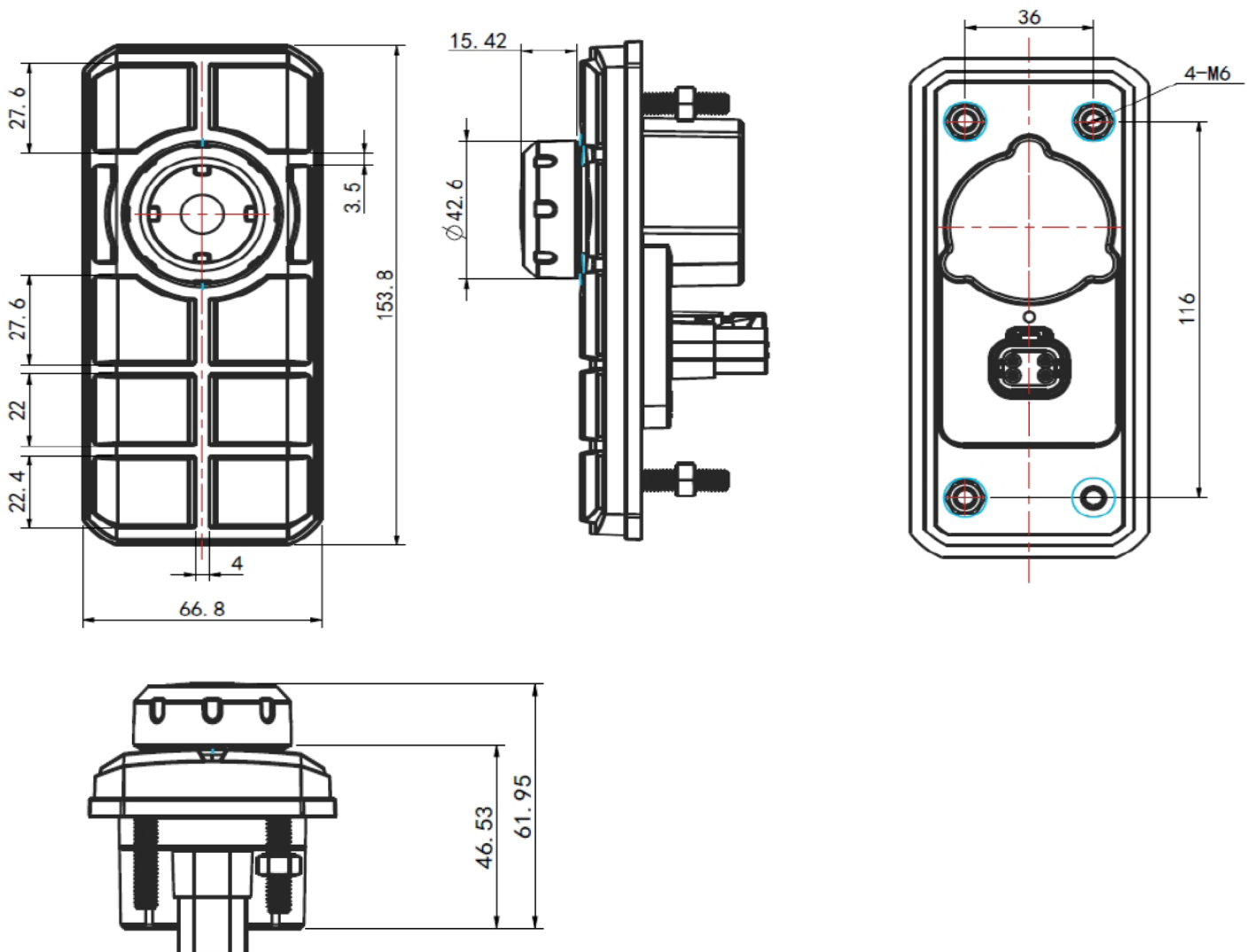
ENVIRONMENT

HYGROTHERMAL CYCLE: EN 60068-2-30 : 2006
 SALT SPRAY: EN 60068-2-52 : 1996
 RANDOM VIBRATION: ISO 16750-3 : 2007
 SINUSOIDAL VIBRATION: EN 60068-2-6 : 2008

IP

IP67 for the button part, IP55 for whole

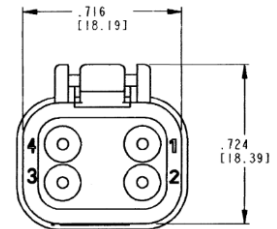
SIZE (mm)





ELECTRICAL CONNECTIONS

DEUTSCH CONNECTOR FPM	PINOUT	
	1	POSITIVE POWER SUPPLY
	2	GND
	3	CAN H
	4	CAN L



COPULING CONNECTORS

CONNECTOR CODES (DEUTSCH BRAND)

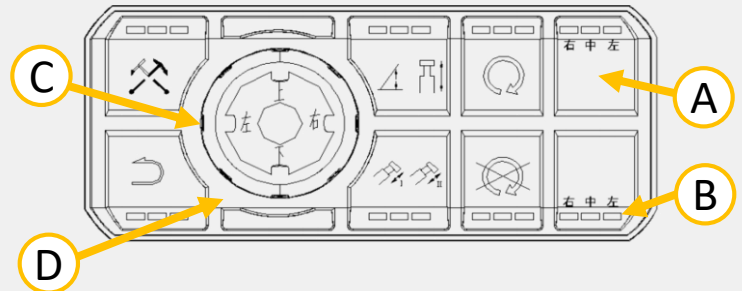
CONNECTOR	DT06-4S
LOCK CATCH	W4S
CONTACT PIN	1062-16-0122



FEATURES

DEVICE CONFIGURATION

- A. PUSHBUTTONS WITH BAKCLIGHT AND CUSTOMIZABLE GRAPHIC LABEL (MOQ required)
- B. PROGRAMMABLE STATUS LEDS VISIBLE UNDER STRONG SUNLIGHT
- C. ROTATIVE KNOB WITH 4 SWITCH ON CROSS POSITION + 1 ON THE TOP
- D. SAFE FEEDBACK THANKS TO THE SOUND OF THE BUZZER, EMITTED FOR EVERY BUTTON PRESSED





ALMEC
MECHATRONICS

NOTE