



The ALMSNT device has 3 buttons with backlight, a display with customizable graphics and a 10-LED status bar that allow to intuitively view the status and the diagnose of the machine.

It can be implemented in a CAN network, as SLAVE.

The high quality material of the case makes the controller suitable for use on machines that operate in harsh work environments.



TECHNICAL FEATURES

MASTER CODE	CRS.311
POWER SUPPLY	9-36 VDC
OUTPUT	ON REQUEST: N.1 DIGITAL HIGH SIDE OUTPUT (MAX 500 mA)
BUTTONS	N. 3 FRONTAL KEYS (WITH INTEGRATED BACKLIGHT)
LEDS	N. 10 RAMP OF PROGRAMMABLE STATUS LEDES N. 6 PROGRAMMABLE LEDES
CAN BUS	1 PORT: 2.0 A/B COMPLIANT - (11, 29 BIT) - ISO 11898 - UP TO 1MBIT/S
	CAN OPEN (CIA DS401 DEVICE PROFILE FOR GENERIC I/O MODULE, WITH DS306 EDS FILE) SAE J1939 (OPTIONAL)
LCD	LCD TYPE: HIGH BRIGHTNESS LED
	5 CHARACTER (1 CHARACTER: 7 SEGMENT)
	VISUAL AREA: 42 (W) X 12.0 (H)
WORKING TEMPERATURE	-40°C +80°C





ELECTRONIC FEATURES

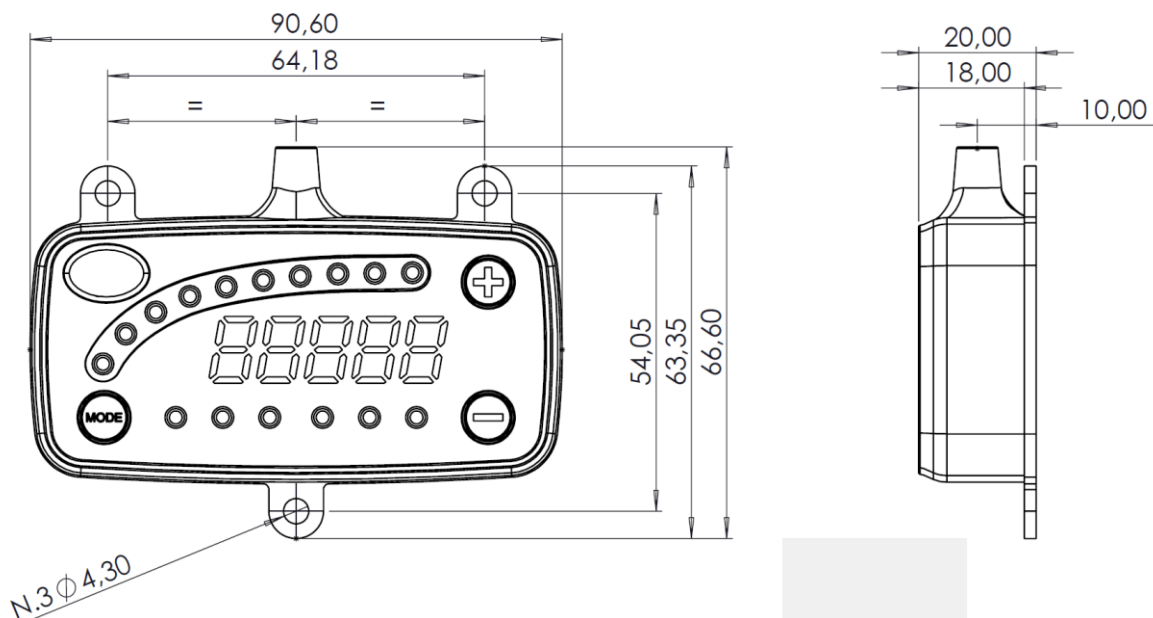
SLAVE USAGE	EDS FILE
PROGRAMMING	FIRMWARE UPLOAD BY CAN BUS WITH ALOADER SOFTWARE TOOL
CYCLE TIME	10 mS

STANDARDS

ELECTROMAGNETIC EMISSIONS	EN 61000-6-4 EN 55011 (RF RADIATE)
ELECTROMAGNETIC IMMUNITY	EN 61000-6-2 EN 61000-4-2/3/4/6
IP GRADE	IP 66
ELECTRONIC PERFORMANCE AND SAFETY LEVEL	PLc – SIL1 (DUAL-CHANNEL INTERNAL SCHEME)

IN ACCORDANCE WITH THE EN50498 THE DEVICE MEETS THE TECHNICAL SPECIFIC REQUIREMENTS OF 2004-104 DIRECTIVE (AUTOMOTIVE). THE DEVICE IS EMC 2004/108 COMPLIANT.

SIZE (mm)





ELECTRICAL CONNECTIONS

WIRED

AMP SUPERSEAL 4 PIN FPM

CABLE LENGTH: 100 mm

PINOUT

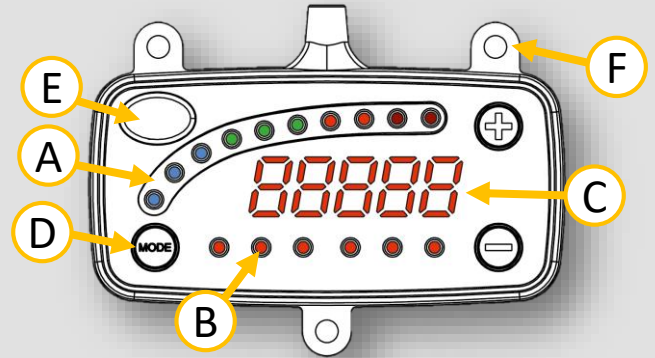
1	BN	POSITIVE POWER SUPPLY
2	WH	CAN BUS L
3	BU	GND POWER SUPPLY
4	BK	CAN BUS H



FEATURES

DEVICE CONFIGURATION

- A. PROGRAMMABLE MULTICOLOR STATUS BAR
- B. STATUS LEDS
- C. 5 DIGITS, 7 SEGMENTS DISPLAY
- D. PUSHBUTTONS WITH BACKLIGHT
- E. CUSTOMIZABLE GRAPHIC LABEL (MOQ required)
- F. INOX STEEL MOUNTING BRACKET





ALMEC
MECHATRONICS

NOTE