



The AL35R15 distributor is suitable for the pneumatic distribution for moving machinery and equipment.

It's available from 4 up to 8 elements and it's implemented as SLAVE in a CAN network.

Built with high quality components, the AL35R15 is suitable to resist vibrations and water, for use on machines that operate in harsh work environments in applications where flexibility and reliability of the system are required.

TECHNICAL FEATURES

MASTER CODE		AL35R15
POWER SUPPLY		ELECTRONIC BOARD: 9 – 36 VDC / CURRENT CONSUMPTION 50 mA @24 VDC (STAND BY MODE) ELECTROVALVES: 12VDC OR 24VDC
GENERAL AIR SUPPLY		8 BAR
OUTPUT		UP TO 16 E.V. (SEE THE PURCHASE CODES «E.V. OUT» FOR OPTIONS)
AIR FLOW RATE		30 NI/min (@ 6 bar Δp 1 bar, FOR SIGLE E.V.)
LED		N.1 STATUS LED
CAN BUS	1 PORT	2.0B COMPLIANT - (11, 29 BIT) - ISO 11898 - UP TO 1MBIT/S
CAN BUS PROTOCOLS		CAN OPEN (CIA DS401 DEVICE PROFILE FOR GENERIC I/O MODULE, WITH DS306 EDS FILE) ON REQUEST: SAE J1939
CONNECTIONS		ELECTRICAL: AMP SUPERSEAL 4 PIN FPM PNEUMATIC: SWIVEL PNEUMATIC CONNECTION WITH QUICK COUPLING FOR PIPES \varnothing 6 mm ON REQUEST: \varnothing 4 mm
CASE		BASE: ANODIZED ALUMINUM CARTER: PA66 25%FV V0
WORKING TEMPERATURE		-40°C +80°C





ELECTRONIC FEATURES

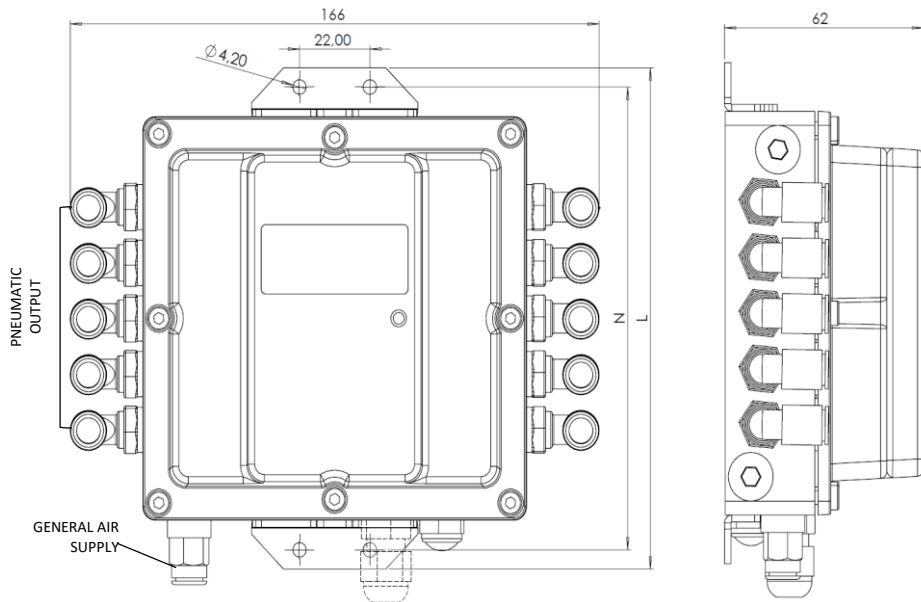
SLAVE USAGE	EDS FILE
PROGRAMMING	FIRMWARE UPLOAD BY CAN BUS WITH BOOTLOADER

STANDARDS

IP GRADE	CASE: IP68 PNEUMATIC FITTINGS: IP65
ELECTROMAGNETIC EMISSIONS	EN 61000-6-4// EN 55011 (RF RADIATE)
ELECTROMAGNETIC IMMUNITY	EN 61000-6-2// EN 61000-4-2/3/4/6
MTTFd	407 YEARS CALCULATED ACCORDING TO THE IEC61709 (SIEMENS SN29500), ENVIRONMENTAL FACTORS 3K7 (IEC60721). E.V. CYCLE TIME: 60 s (FOR 8 h/day, 300 day/year)
ELECTRONIC PERFORMANCE AND SAFETY LEVEL	PLc – SIL1 (SINGLE-CHANNEL INTERNAL SCHEME)

IN ACCORDANCE WITH THE EN50498 THE DEVICE MEETS THE TECHNICAL SPECIFIC REQUIREMENTS OF 2004-104 DIRECTIVE (AUTOMOTIVE). THE DEVICE IS EMC 2004/108 COMPLIANT

SIZE (mm)



ELECTRICAL CONNECTIONS

AMP SUPERSEAL 4 PIN FPM



PINOUT		
1	BN	POWER SUPPLY
2	WH	CAN L
3	BU	GND
4	BK	CAN H

AVAILABLE VERSIONS

ELEMENTS	E.V. OUT	N (mm)	L (mm)
4	8	117	128
5	10	133	144
6	12	149	160
7	14	165	176
8	16	181	192

FEATURES

MINIATURE PORTED FILTER/REGULATOR

With automatic water drainage
Fitting: G1/8



OPTIONAL

CODE: MFR.18.B07.TT.C



ALMEC
MECHATRONICS

NOTE