



The CB01R controller can handle up to 16 inputs or outputs.

The small size and the easy installation, makes the controller suitable for low cost application and it can be implemented in a CAN network, as MASTER or SLAVE.

The polyurethane resin case makes the controllers belonging to this family suitable for use on machines that operate in harsh work environments.



TECHNICAL FEATURES

MASTER CODE		CB01R	
POWER SUPPLY		9-36 VDC / CURRENT CONSUMPTION 20 mA AT 24 VDC (STAND BY MODE)	
DIGITAL INPUT (ON/OFF)	TOTAL 16	16 OPTO ISOLATED INPUT (HIGH SIDE)	INPUT & OUTPUT PIN CONFIGURABLE BY SOFTWARE
OUTPUT (ON/OFF)		16 ON/OFF OUTPUT (MAX TOTAL ABSORPTION 500mA, HIGH SIDE)	
CAN BUS	1 PORT	2.0B COMPLIANT - (11, 29 BIT) - ISO 11898 - UP TO 1MBIT/S (CAN TERMINATION CONFIGURABLE BY SOFTWARE)	
CAN BUS PROTOCOLS		CAN OPEN (CIA DS401 DEVICE PROFILE FOR GENERIC I/O MODULE, WITH DS306 EDS FILE) ON REQUEST: SAE J1939 - ISO 11783 (ISO BUS) - FMS	
CONNECTIONS PORT	3 or 1	N.2 8X1 PUR CABLE – CONNECTOR: (SEE THE TABLE A «CONNECTORS») N.1 4x0,75 PUR CABLE – CONNECTOR: (SEE THE TABLE A «CONNECTORS») OR N.1 25X0,50 NUMERATED PUR CABLE – (SEE THE TABLE B «CONNECTORS»)	
WORKING TEMPERATURE		-40°C +80°C	
CASE		PUR	





ELECTRONIC FEATURES

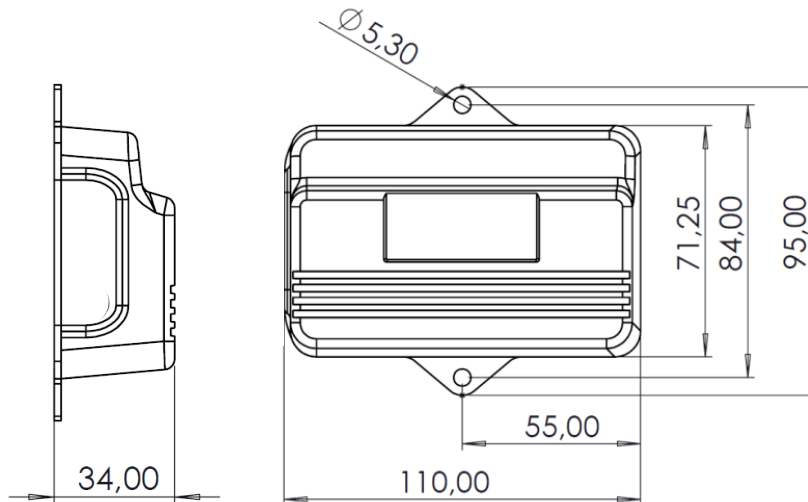
SLAVE USAGE	EDS FILE
CYCLE TIME	100 ms

STANDARDS

ELECTROMAGNETIC EMISSIONS	EN 61000-6-4// EN 55011 (RF RADIATE)
ELECTROMAGNETIC IMMUNITY	EN 61000-6-2// EN 61000-4-2/3/4/6
IP	BOX IP68
MTTFD	62,88 YEARS CALCULATED ACCORDING TO THE IEC61709 (SIEMENS SN29500), WITH ENVIRONMENTAL FACTORS 3K7 (IEC60721)
PERFORMANCE AND SAFETY INTEGRITY LEVEL	PLc – SIL1 (SINGLE-CHANNEL INTERNAL SCHEME)

IN ACCORDANCE WITH THE EN509498 THE DEVICE MEETS THE TECHNICAL SPECIFIC REQUIREMENTS OF 2004-104 DIRECTIVE (AUTOMOTIVE). THE DEVICE IS EMC 2004/108 COMPLIANT.

SIZE (mm)





CB01R

HERMETIC I/O CAN BUS MODULE

FPM 4 POLES CONNECTOR

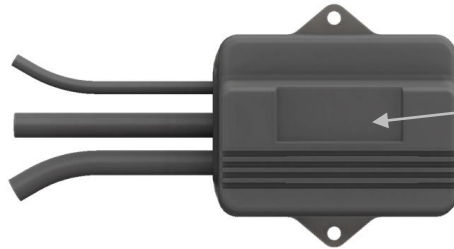
P

FPM 8 POLES CONNECTOR

Y

MPF 8 POLES CONNECTOR

X



CODE
SERIAL NUMBER

A - CONNECTORS

RIF	DESCRIPTION
A	FASTON CONNECTOR SERIES 6,3
B	METRIPACK



P

POWER CABLE
CABLE PUR 4x0,75
→ STANDARD CABLE
LENGTH=25mm

PIN	DESCRIPTION	COLOR
1	POWER SUPPLY	BN
2	GND	BU
3	CAN LINE L	BK
4	CAN LINE H	WH

X & Y

I/O CABLE
CABLE PUR 8x1
→ STANDARD CABLE
LENGTH=21mm

PIN	DESCRIPTION	COLOR
1	IN/OUT 1	BK
2	IN/OUT 2	GY
3	IN/OUT 3	YE
4	IN/OUT 4	OG
5	IN/OUT 5	VT
6	IN/OUT 6	TQ
7	IN/OUT 7	BN
8	IN/OUT 8	WH

MPF 20 POLES CONNECTOR

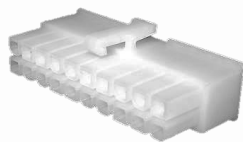


ATTENTION!

TO USE CONNECTORS DIFFERENT FROM THE PROPOSED ONES, PLEASE CONTACT US;
THE CONNECTOR COUPLED WITH THE ONE INCLUDED IN THE MODULE, HAS TO BE PURCHASED ASIDE.

B - CONNECTORS

RIF	DESCRIPTION
D	MOLEX MINIFIT CONNECTOR 20 PINS CODE: 39-01-2060
Z	FREE WIRES WITHOUT CONNECTOR



POWER CABLE – I/O CABLE : 25x0,50 NUMERATED PUR CABLE
→ STANDARD CABLE LENGTH=25mm

PIN	DESCRIPTION	PIN	DESCRIPTION
1	IN/OUT 1	11	IN/OUT 3
2	IN/OUT 2	12	IN/OUT 4
3	IN/OUT 3	13	IN/OUT 5
4	IN/OUT 4	14	IN/OUT 6
5	IN/OUT 5	15	IN/OUT 7
6	IN/OUT 6	16	IN/OUT 8
7	IN/OUT 7	17	POWER SUPPLY
8	IN/OUT 8	18	GND
9	IN/OUT 1	19	CAN LINE L
10	IN/OUT 2	20	CAN LINE H



ALMEC
MECHATRONICS

NOTE