



The ALNWR is a pushbutton designed for remote control applications of machines and equipment equipped with the radio receiver RDC EVO.

The device has an emergency button for safety functions, 16 keys keypad with a backlight integrated spotlight led and a graphic display which is optimal for the intuitive view of the status and the diagnosis of the machine.

If required, up to 2 side buttons can be installed for custom applications e.g., for duplicates the functionality of each button or DMS function.

The keyboard graphic can be customized to best fit the machine application.

The hamming security code and the packet communication protocol allow for a reliable radio connection and continuous work without any interruptions caused by radio interference on the 434 or 868 MHz band.



TECHNICAL FEATURES

MASTER CODE		ALNWR.D
POWER SUPPLY		3.7V 2000 mAh Li-ion INTEGRATED BATTERY
BUTTONS	TOTAL	N. 10 FRONTAL KEYS (WITH INTEGRATED BACKLIGHT AND SPOTLIGHT) N. 1 LEFT SIDE BUTTONS (OPTIONAL) N. 1 RIGHT SIDE BUTTON (OPTIONAL) N. 1 EMERGENCY STOP BUTTON
	13	
LED	TOTAL	N. 10 PROGRAMMABLE SPOTLIGHT LEDS (PUSHBUTTONS INTEGRATED) N.1 STATUS LED (GREEN & RED BICOLOR) OPTIONAL: ADDITIONAL N.2 BICOLOR LED
	11	
RADIO FEATURES		BAND: 868 MHz (869.700-870.00 MHz) / 434 MHz (433.050-434.790 MHz) CHANNELS: 12 (AUTOMATIC FREQUENCY SCAN) MODULATION: 2-GFSK ANTENNA: INTEGRATED
AUTONOMY		UP TO 20 HOURS IN CONTINUOS TRANSMISSION
RECHARGE		10 HOURS (MAX)
CONNECTIONS		INTEGRATED BATTERY CHARGER CONNETOR (9÷36 VDC FROM EXTERNAL POWER SOURCE @ 0+40°C)
DISPLAY	FSTN - LCD GRAY - WITH ADJUSTABLE BACKLIGHT	
	1,8" - DOT MATRIX: 128 X 64 DOTS	
	41,80 (W) X 26,10 (H) mm – 6:00 VIEWING DIRECTION	
WORKING TEMPERATURE		-10°C +60°C
PROTECTION		IP64





ELECTRONIC FEATURES

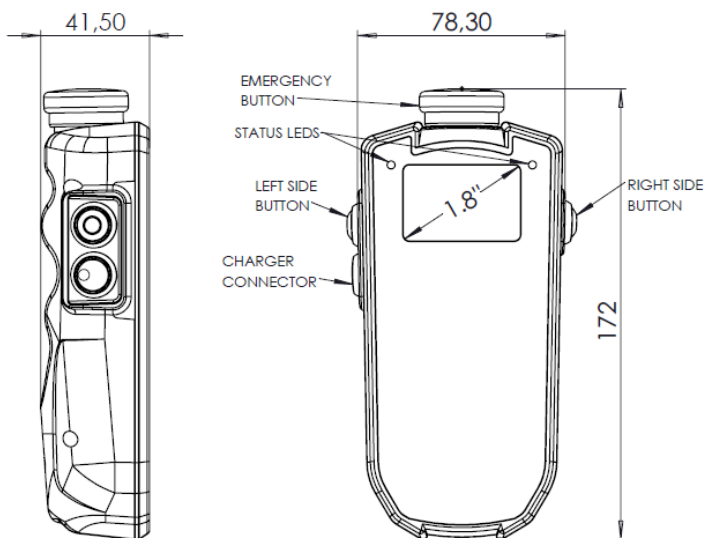
INTERNAL SYSTEM CONTROL	LOGIC MICROPROCESSOR WATCHDOG
CYCLE TIME	< 10 ms
RADIO PROTOCOL	PACKET TRANSMISSION PROTOCOL BIDIRECTIONAL LINK HAMMING DISTANCE = 4 SAFETY STOP INTERVENTION TIME < 0,5s

STANDARDS

ELECTROMAGNETIC (EMC)	ACCORDING TO DIRECTIVE 2014/30/EU: EN 61000-6-4 EN 61000-6-2 EN 50498
INFORMATION TECHNOLOGY EQUIPMENT – SAFETY	EN 60950-1
RADIO SPECTRUM MATTERS (RED)	ACCORDING TO DIRECTIVE 2014/53/EU: ETSI EN 300.220-1 ETSI EN 300.220-2 ETSI EN 301.489-1 ETSI EN 301.489-3
EMERGENCY STOP BUTTON (manufacturer's specification)	EN60947-5-1 EN60947-5-5

ACCORDING WITH THE EN50498 THE DEVICE MEETS THE TECHNICAL SPECIFIC REQUIREMENTS OF 2004-104 DIRECTIVE (AUTOMOTIVE).

SIZE (mm)



NOTE: THE BATTERY CHARGER CONNECTOR AND THE RIGHT SIDE BUTTON MAY BE EXCHANGED ON REQUEST

CHARGER



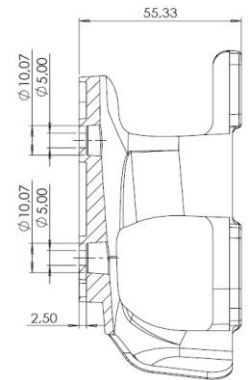
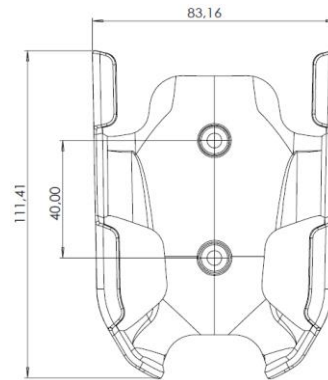
BATTERY CHARGER with spiral cable included
INPUT: 12/24 VDC

OPTIONAL:
BATTERY CHARGER with spiral cable
INPUT: 220/230 VAC



FEATURES

MOUNTING BRACKET



OPTIONAL

INTEGRATED MAGNETIC BRACKET



CUSTOMIZABLE KEYBOARD GRAPHIC



FAUX LEATHER CASE

with rear spring clips for belt attachment and lid with velcro closure for quick withdrawal.



CUSTOMIZABLE GRAPHIC DISPLAY and WORKING LOGIC



CONFIGURATION SAMPLE (ALMEC PRODUCTS COMBINATION)

TECHNICAL FEATURES (SEE THE DATASHEET ON WEB FOR MORE INFORMATION)

MASTER CODE	RDC EVO
POWER SUPPLY	9 - 30 VDC
COMMUNICATION	NETWORK: CAN BUS 2.0B COMPLIANT – (11, 29 BIT) – ISO 11898-2 UP TO 1Mbit/s RADIO: 868 MHz / 434 MHz BAND
CONNECTIONS	MAIN: TE DEUTSCH DTF13-6P ANTENNA: SMA socket
CASE	ENCAPSULATED IN PUR RESIN - SELF-EXTINGUISHING UL94 (V0)



ALNWR	RDC EVO
RADIO TRANSMITTER	RADIO RECEIVER



ALMEC
MECHATRONICS

NOTE