



The ALNW.D is a pushbutton designed for control applications of machines and equipment equipped with a CAN BUS or SERIAL network.

The device has an emergency button with dry contacts, 10 keys keypad with a backlight an integrated spotlight led and a graphic display which is optimal for the intuitive view of the status and the diagnosis of the machine.

If required, up to 3 side buttons can be installed for custom applications e.g., for duplicates the functionality of each button.

The keyboard graphic can be customized to best fit the machine application.

The spiral cable and the rugged connector allow it to stay away from the equipment, saving space.

TECHNICAL FEATURES

MASTER CODE		ALNW.D
POWER SUPPLY		9-36 VDC / CURRENT ABSORPTION 25mA AT 24VDC (STAND BY MODE)
BUTTONS	TOTAL 14	N. 10 FRONTAL KEYS (WITH INTEGRATED BACKLIGHT AND SPOTLIGHT) N. 2 LEFT SIDE BUTTONS (OPTIONAL) N. 1 RIGHT SIDE BUTTON (OPTIONAL) N. 1 EMERGENCY STOP BUTTON
LED	TOTAL 12	N. 10 PROGRAMMABLE SPOTLIGHT LEDES (PUSHBUTTONS INTEGRATED) N. 1 STATUS LED (GREEN & RED BICOLOR) N.1 BICOLOR LED
CAN BUS	1 PORT	2.0B COMPLIANT - (11, 29 BIT) - ISO 11898 - UP TO 1MBIT/S
CAN BUS PROTOCOLS		CAN OPEN (CIA DS401 DEVICE PROFILE FOR GENERIC I/O MODULE, WITH DS306 EDS FILE) OPTIONAL: SAE J1939
SERIAL	1 PORT	RS232 / RS422 / RS485
CONNECTION	WIRED	SEE PAGE 2 FOR OPTIONS
DISPLAY		FSTN - LCD GRAY - WITH ADJUSTABLE BACKLIGHT 1,8'' - DOT MATRIX: 128 X 64 DOTS 41,80 (W) X 26,10 (H) mm – 6:00 VIEWING DIRECTION
WORKING TEMPERATURE		-20°C +60°C
PROTECTION		IP64





STANDARDS

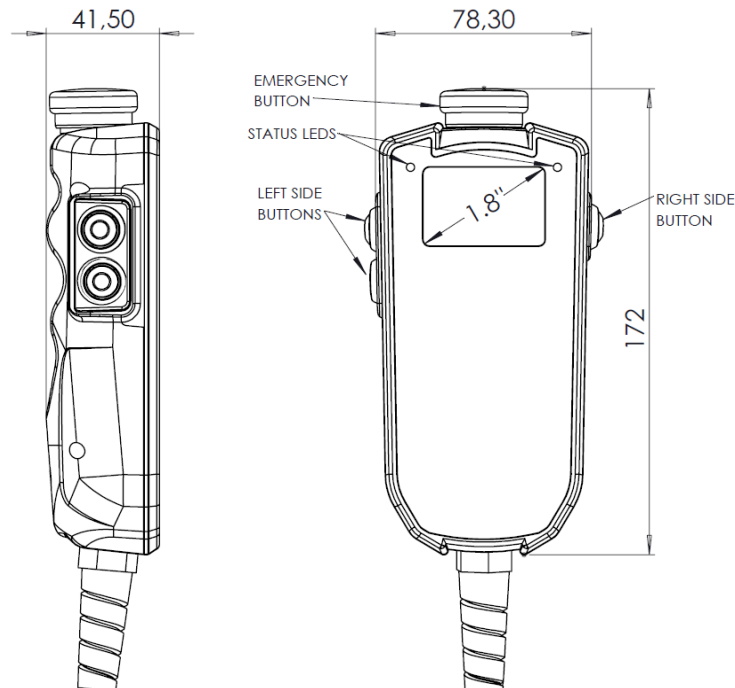
ELECTROMAGNETIC (EMC)	ACCORDING TO DIRECTIVE 2014/30/EU: EN 61000-6-4 EN 61000-6-2 EN 50498
EMEGENCY STOP BUTTON	EN60947-5-1 EN60947-5-5 (manufacturer's specification)

ACCORDING WITH THE EN50498 THE DEVICE MEETS THE TECHNICAL SPECIFIC REQUIREMENTS OF 2004-104 DIRECTIVE (AUTOMOTIVE).

ELECTRONIC FEATURES

SLAVE USAGE	EDS FILE
PROGRAMMING	FIRMWARE UPLOAD BY CAN BUS WITH ALOADER SOFTWARE TOOL
EMERGENCY STOP BUTTON	35 VDC; 2 A

SIZE (mm)



ELECTRICAL CONNECTIONS AVAILABLE

SPIRAL CABLE L = 80 cm (EXTENDED L = 450 cm) - CUSTOMIZABLE LENGTH ON REQUEST

AMP SUPERSEAL 6 PIN CONNECTOR



UTG608P SOURIAU CONNECTOR



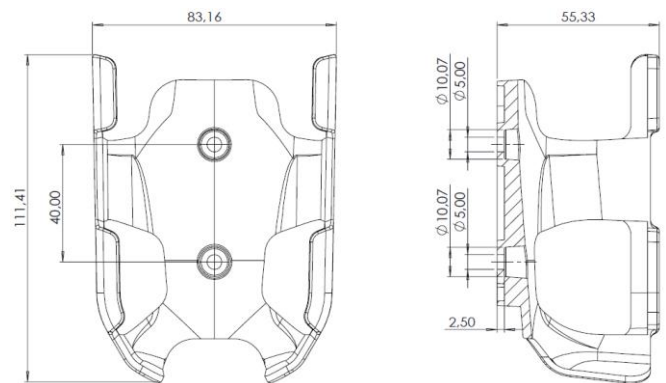
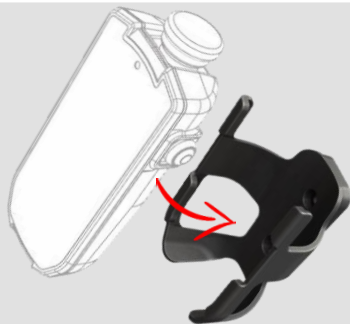


CONNECTIONS PINOUT

CAN VERSION CONNECTIONS			SERIAL VERSION CONNECTIONS		
PIN	COLOR	DESCRIPTION	PIN	COLOR	DESCRIPTION
1	BROWN	POSITIVE POWER SUPPLY	1	BLACK	POSITIVE POWER SUPPLY
2	ORANGE	CAN H	2	GREY	NEGATIVE POWER SUPPLY
3	WHITE	NEGATIVE POWER SUPPLY	3	YELLOW	A-LINE
4	YELLOW	CAN L	4	ORANGE	B-LINE
5	VIOLET	EMERGENCY BUTTON DRY CONTACT	5	BROWN	EMERGENCY BUTTON DRY CONTACT
6	TURQUOISE	EMERGENCY BUTTON DRY CONTACT	6	VIOLET	EMERGENCY BUTTON DRY CONTACT

FEATURES

MOUNTING BRACKET



OPTIONAL

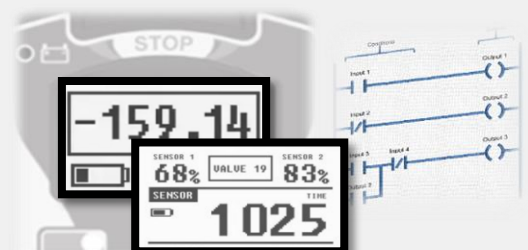
INTEGRATED MAGNETIC BRACKET



CUSTOMIZABLE KEYBOARD GRAPHIC



CUSTOMIZABLE GRAPHIC DISPLAY and WORKING LOGIC





ALMEC
MECHATRONICS

NOTE