



The ALMSNT is an HMI (human-machine interface) designed for diagnosis, parametrization and control applications of machines and equipment equipped with a CAN BUS network.

The device is equipped with 3 buttons with a backlight, a 5-digit display with customizable graphics, 6 custom led and a 10 multicolor LED status-bar ideal for displaying load, speed or rpm status.

The rugged case makes the device suitable for use on machines that operate in harsh work environments.



TECHNICAL FEATURES

MASTER CODE	CRS.311
POWER SUPPLY	9-36 VDC
OUTPUT	optional: N.1 DIGITAL HIGH SIDE OUTPUT (MAX 500 mA)
BUTTONS	N. 3 FRONTAL KEYS (WITH INTEGRATED BACKLIGHT)
LEDS	N. 10 RAMP OF PROGRAMMABLE MULTICOLOR STATUS LEDS N. 6 PROGRAMMABLE LEDS
CAN BUS	1 PORT: 2.0 A/B COMPLIANT - (11, 29 BIT) - ISO 11898 - UP TO 1MBIT/S
	PROTOCOL: CAN OPEN (CIA DS401 DEVICE PROFILE FOR GENERIC I/O MODULE, WITH DS306 EDS FILE) SAE J1939 (OPTIONAL)
LCD	LCD TYPE: HIGH BRIGHTNESS LED
	5 CHARACTER (1 CHARACTER: 7 SEGMENT) VISUAL AREA: 42 (W) X 12.0 (H)
WORKING TEMPERATURE	-40°C +80°C
IP GRADE	CONNECTOR: IP 67 DEVICE: IP69
MATERIAL	ENCLOSURE: SILICONE RUBBER POTTING: PUR RESIN UL94 V0





ELECTRONIC FEATURES

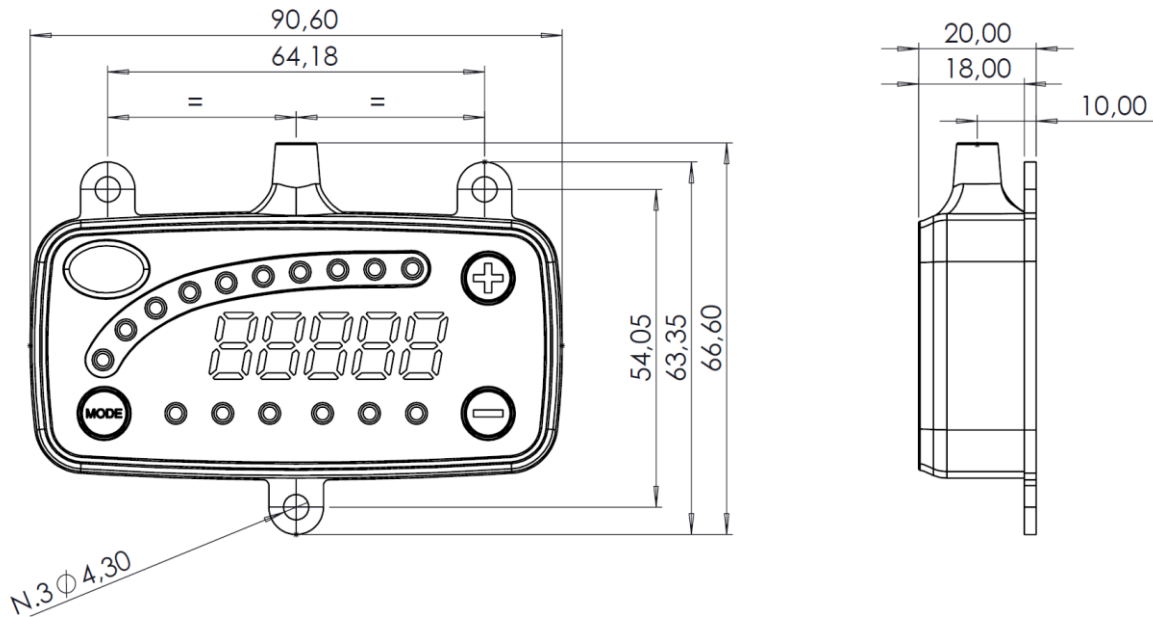
SLAVE USAGE	EDS FILE
PROGRAMMING	FIRMWARE UPLOAD BY CAN BUS WITH ALOADER SOFTWARE TOOL
CYCLE TIME	10 mS

STANDARDS

ELECTROMAGNETIC EMISSIONS	EN 61000-6-4 EN 55011 (RF RADIATE)
ELECTROMAGNETIC IMMUNITY	EN 61000-6-2 EN 61000-4-2/3/4/6

IN ACCORDANCE WITH THE EN50498 THE DEVICE MEETS THE TECHNICAL SPECIFIC REQUIREMENTS OF 2004-104 DIRECTIVE (AUTOMOTIVE). THE DEVICE IS EMC 2004/108 COMPLIANT.

SIZE (mm)



ELECTRICAL CONNECTIONS

WIRED	PINOUT		
	AMP SUPERSEAL 4 PIN FPM	1	BN
CABLE LENGTH: 100 mm	2	WH	CAN BUS H
	3	BU	GND POWER SUPPLY
	4	BK	CAN BUS L

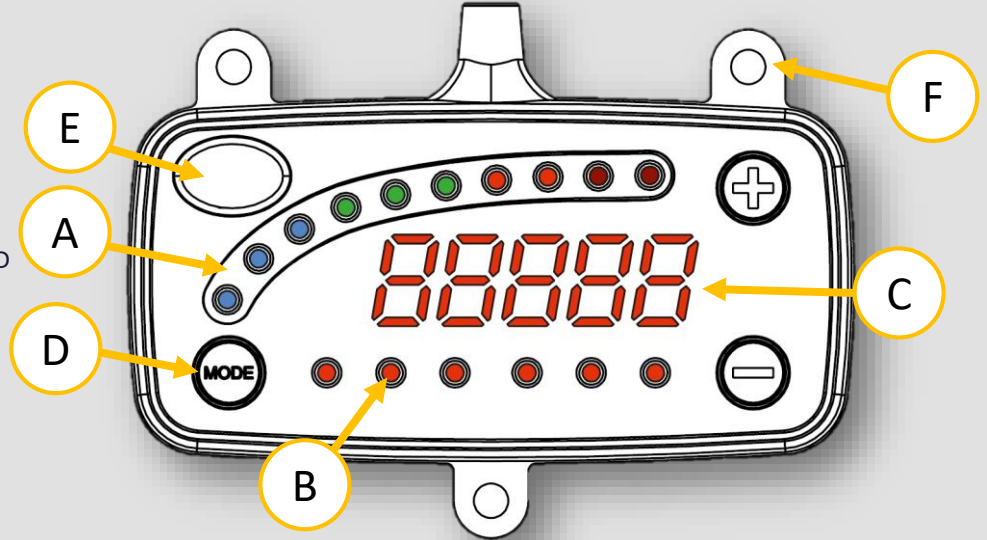




FEATURES

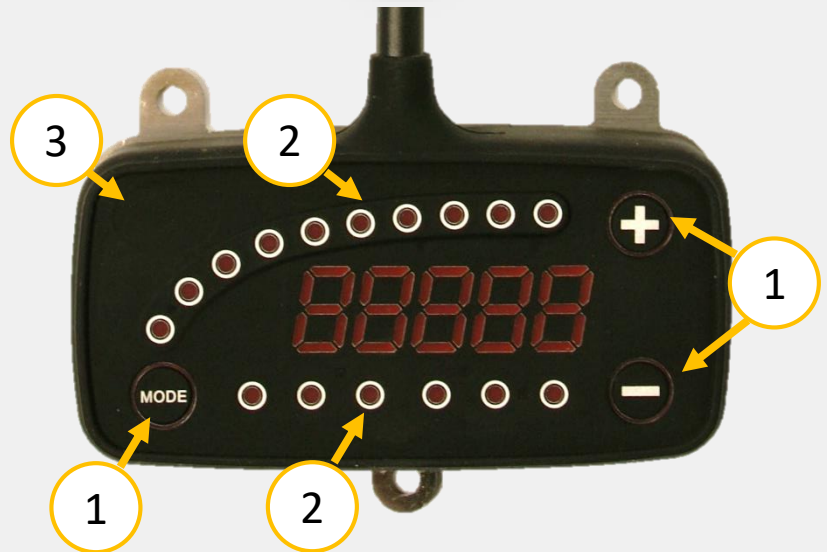
DEVICE CONFIGURATION

- A. PROGRAMMABLE MULTICOLOR STATUS BAR: BLUE-GREEN-RED-DARK RED
- B. STATUS LEDS
- C. 5 DIGITS, 7 SEGMENTS DISPLAY
- D. PUSHBUTTONS WITH BAKLIGHT
- E. INOX STEEL MOUNTING BRACKET



CUSTOMIZATIONS (MOQ required)

- 1. PUSHBUTTON GRAPHIC PICTOGRAMS
- 2. PICTOGRAMS NEAR THE STATUS LED/BAR LED
- 3. COMPANY LOGO





ALMEC
MECHATRONICS

NOTE