



The AL50C portable console is a control device designed for the operation of industrial lifting machines, materials handling and aerial platforms equipped with a CAN bus network.

The device is developed to better adapt to the machine thanks to the internal electronic which allows it to handle up to 2 double-axle proportional joysticks, up to 10 pushbuttons, up to 12 led and an emergency pushbutton with dry contacts. The operator layout is fully customizable.

The device allows to quickly control the machine, saving space thanks to the ergonomics of the product, the spiral cable and the rugged connector.



TECHNICAL FEATURES

MASTER CODE	AL50C.453
POWER SUPPLY	EXTERNAL POWER SUPPLY: 9-30 VDC
COMMUNICATION PORTS	NETWORK: CAN BUS 2.0B COMPLIANT – (11, 29 BIT) – ISO 11898-2 UP TO 1Mbit/s
CONNECTIONS	MAIN: SOURIAU CONNECTOR with DUST COVER CAP for external p.s., battery charge, CAN bus communication and Emergency button NC dry contact
CASE	BLACK PA
HANDLING	Waist belt/ shoulder strap
TEMPERATURE	OPERATING T.: -25+70°C STORAGE T.: -40+70°C
PROTECTION	IP65

ELECTRONIC FEATURES

CAN BUS PROTOCOLS	CAN OPEN protocol (CIA DS401 DEVICE PROFILE FOR GENERIC I/O MODULE, WITH DS306 EDS FILE) Baud rate: 10, 20, 50, 100, 125, 250, 500, 1000 kbps (Default = 250 kbps)
PROGRAMMING	FIRMWARE UPLOAD BY CAN BUS WITH ALOADER SOFTWARE TOOL



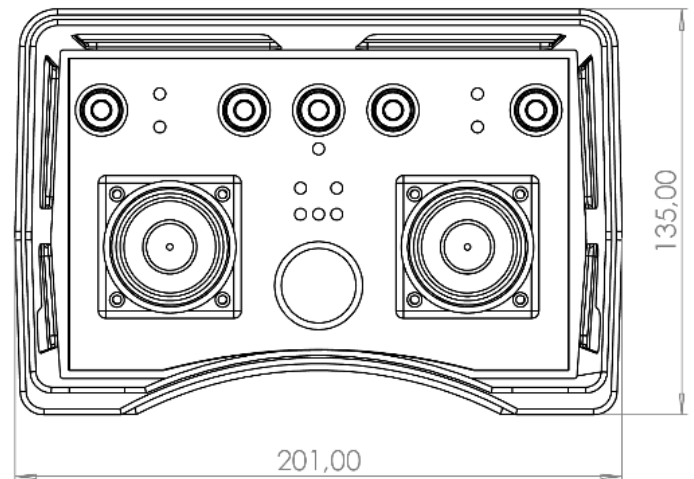
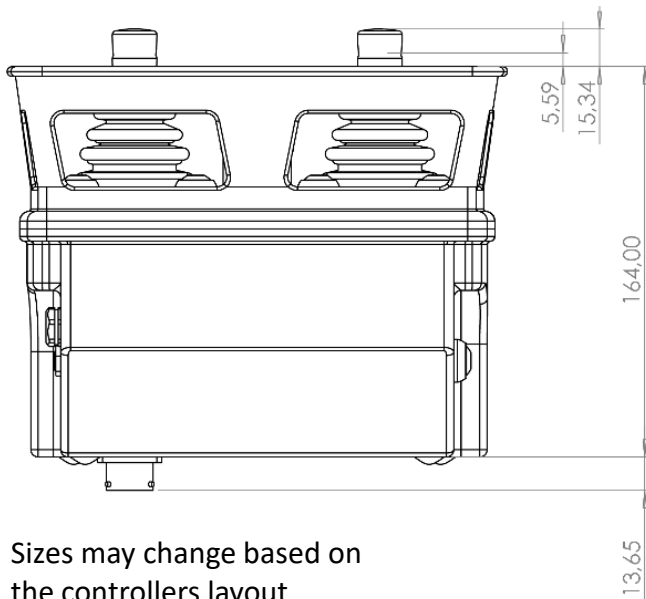
Scan me



STANDARDS

ELECTROMAGNETIC (EMC)	ACCORDING TO DIRECTIVE 2014/30/EU: EN 61000-6-4 EN 61000-6-2 EN 50498
ROAD VEHICLES	ISO 7637-2: 2011 ISO 11452-1: 2005
INFORMATION TECHNOLOGY EQUIPMENT – SAFETY	EN 60950-1
PERFORMANCE AND SAFETY INTEGRITY LEVEL	EN ISO 13849-1 PLC – SIL1 (SINGLE-CHANNEL INTERNAL SCHEME)
EMEGENCY STOP BUTTON (manufacturer's specification)	EN60947-5-1 EN60947-5-5

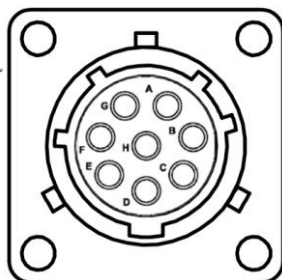
SIZE (mm)



Sizes may change based on the controllers layout

CONNECTOR PINOUT

MAIN CONNECTOR



PIN	DESCRIPTION
A	POSITIVE power supply
B	GND power supply
C	CAN H
D	CAN L
E	Dry contact (emergency button)
F	Dry contact (emergency button)

MATING CONNECTOR CODES

SOURIAU P/N: UTG608P and UT00128SH FPM

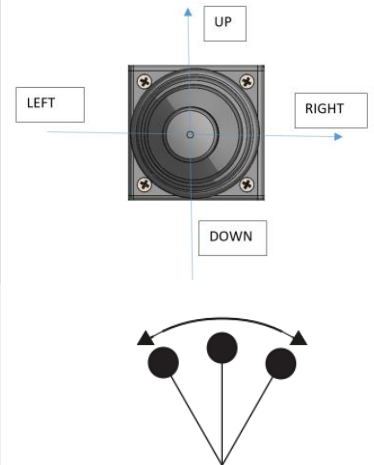


AVAILABLE CONTROL ELEMENTS

EMERGENCY STOP BUTTON	MUSHROOM BUTTON WITH ROTATING RELEASE USAGE CONDITIONS ON DRY CONTACTS: 3 A a 120 V, AC-15, B300 1,5 A a 240 V, AC-15, B300 0,1 A a 250 V, DC-13, R300 0,22 A a 125 V, DC-13, R300
JOYSTICK	UP TO N.4 ANALOG INPUT FOR: → No. 4 SINGLE-AXLE JOYSTICK (X-X) with out-from-center detect input or → No.2 DOUBLE-AXES JOYSTICK (X-Y) with out-from-center detect input
PUSHBUTTONS	N.1 BUTTON FOR DEVICE POWER ON UP TO 10 DIGITAL INPUTS FOR - PUSHBUTTON - TOGGLE SWITCH - ROCKER SWITCHES - OTHERS ON REQUEST
SPOTLIGHT LED	N. 5 LEDs for the indication of the operating status, the battery charge level and coded messages UP TO 7 MONOCROMATIC LED FOR CUSTOMER USAGE
BUZZER	optional

JOYSTICK FEATURES

2-AXES	<ul style="list-style-type: none"> • HALL effect proportional manipulators 2 axes (x and y) with square/cross/diamond/circular limitation. • Operating angle: 36° • On request: cross limitation is done via software within 35s of the drive. • Spring back to center. • Output: Gain 40% (0.5-4.5V) • Operating force 1.3N (max 400N)
SINGLE-AXLE	<ul style="list-style-type: none"> • HALL effect proportional manipulators • Operating angle 25 mm • Spring back to center. • Available low profile (in shape) or high profile (out of shape) • Output: Gain 40% (0.5-4.5V) • Operating force: 75N





SAMPLE LAOUT

FULLY CUSTOMIZABLE

CONSOLE STATUS LED

Custom led integrated on the graphic label

side buttons can be installed for custom applications e.g., for duplicates the functionality of each button or DMS function

EMERGENCY STOP BUTTON

WAIST BELT/ SHOULDER STRAP INCLUDED

CUSTOMIZABLE GRAPHIC LABEL

PUSHBUTTON AVAILABLE ON COLORS:
Blue, Dark blue, Black, Green, Grey, Yellow 6 Red, White, Bright chrome, Orange, Satin chrome

SINGLE-AXLE JOYSTICK

LOW PROFILE SINGLE-AXLE JOYSTICK

2-AXES JOYSTICK