



The AL35R15 is an electro-pneumatic distributor designed for the hydraulic distributor switching on earth-moving machines, lifting machinery and equipment equipped with and hydraulic system and a CAN BUS network.

The device is available from 8 up to 16 electro valves switched from the CAN line.

Built with high-quality components, the AL35R15 is suitable for vibrations and water resistance for use on machines that operate in harsh work environments and work in applications where flexibility and reliability of the system are required.



TECHNICAL FEATURES

| | |
|---------------------|--|
| MASTER CODE | AL35R15 |
| POWER SUPPLY | ELECTRONIC BOARD: 9 – 36 VDC / CURRENT CONSUMPTION 50 mA @24 VDC (STAND BY MODE) ELECTROVALVES: 12VDC OR 24VDC |
| GENERAL AIR SUPPLY | 8 BAR |
| OUTPUT | UP TO 16 E.V. (SEE THE PURCHASE CODES «E.V. OUT» FOR OPTIONS) |
| AIR FLOW RATE | 30 NI/min (@ 6 bar Δp 1 bar, FOR SIGLE E.V.) |
| LED | N.1 STATUS LED |
| CAN BUS | 2.0B COMPLIANT - (11, 29 BIT) - ISO 11898 - UP TO 1MBIT/S |
| CAN BUS PROTOCOLS | CAN OPEN (CIA DS401 DEVICE PROFILE FOR GENERIC I/O MODULE, WITH DS306 EDS FILE) ON REQUEST: SAE J1939 |
| CONNECTIONS | ELECTRICAL: AMP SUPERSEAL 4 PIN FPM PNEUMATIC: SWIVEL PNEUMATIC CONNECTION WITH QUICK COUPLING FOR PIPES Ø 6 mm ON REQUEST: Ø 4 mm |
| CASE | BASE: ANODIZED ALUMINUM CARTER: PA66 25%FV V0 |
| WORKING TEMPERATURE | ELECTRONICS: -40+80°C ELECTRO VALVES: -5+50°C |





ELECTRONIC FEATURES

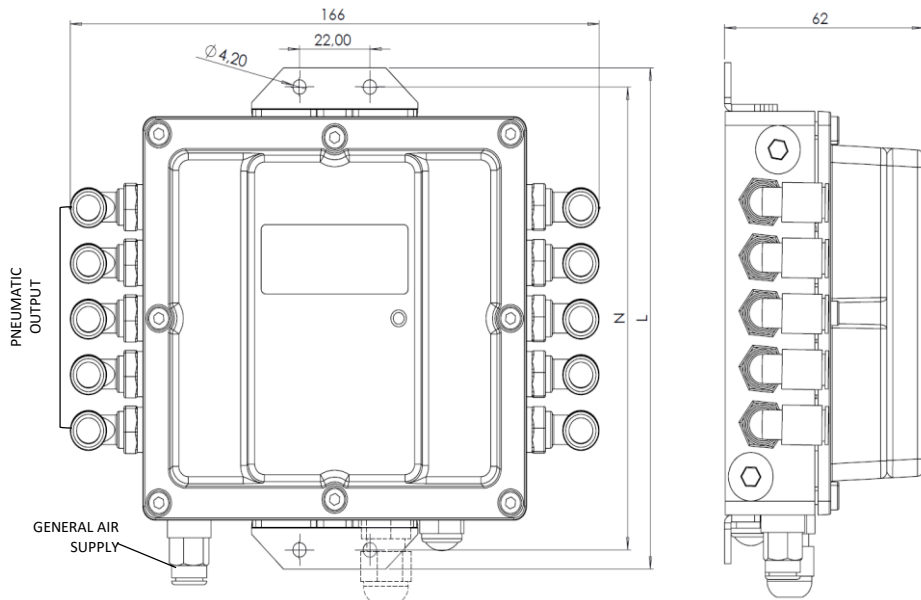
| | |
|-------------|--|
| SLAVE USAGE | EDS FILE |
| PROGRAMMING | FIRMWARE UPLOAD BY CAN BUS WITH BOOTLOADER |

STANDARDS

| | |
|---|---|
| IP GRADE | CASE: IP68 PNEUMATIC FITTINGS: IP65 |
| ELECTROMAGNETIC EMISSIONS | EN 61000-6-4// EN 55011 (RF RADIATE) |
| ELECTROMAGNETIC IMMUNITY | EN 61000-6-2// EN 61000-4-2/3/4/6 |
| MTTFd | 407 YEARS CALCULATED ACCORDING TO THE IEC61709 (SIEMENS SN29500), ENVIRONMENTAL FACTORS 3K7 (IEC60721). E.V. CYCLE TIME: 60 s (FOR 8 h/day, 300 day/year) |
| ELECTRONIC PERFORMANCE AND SAFETY LEVEL | PLc – SIL1 (SINGLE-CHANNEL INTERNAL SCHEME) |

IN ACCORDANCE WITH THE EN50498 THE DEVICE MEETS THE TECHNICAL SPECIFIC REQUIREMENTS OF 2004-104 DIRECTIVE (AUTOMOTIVE). THE DEVICE IS EMC 2004/108 COMPLIANT

SIZE (mm)



ELECTRICAL CONNECTIONS

AMP SUPERSEAL 4 PIN FPM



| PINOUT | | |
|--------|----|--------------|
| 1 | BN | POWER SUPPLY |
| 2 | BK | CAN H |
| 3 | BU | GND |
| 4 | WH | CAN L |

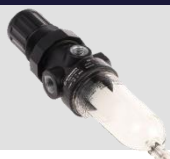
AVAILABLE VERSIONS

| ELEMENTS | E.V. OUT | N (mm) | L (mm) |
|----------|----------|--------|--------|
| 4 | 8 | 117 | 128 |
| 5 | 10 | 133 | 144 |
| 6 | 12 | 149 | 160 |
| 7 | 14 | 165 | 176 |
| 8 | 16 | 181 | 192 |

FEATURES

MINIATURE PORTED FILTER/REGULATOR

With automatic water drainage
Fitting: G1/8



OPTIONAL

CODE: MFR.18.B07.TT.C



ALMEC
MECHATRONICS

NOTE