



The AL14 is a pushbutton designed for remote control applications of machines and equipment equipped with the radio receiver RDC EVO.

The device has 14 key keypad on which 5 of them has an integrated spotlight led.

If required, a side button can be installed for custom application e.g., for duplicates the functionality of each button.

The keyboard graphic can be customized to best fit the machine application.

The hamming security code allows for continuous work without any interruptions caused by radio interference on 434 or 868 MHz band.



TECHNICAL FEATURES

MASTER CODE	AL14R
POWER SUPPLY	3.6V 300 mAh NiCd
BUTTONS	TOTAL 16 MEMBRANE KEYPADS WITH N. 14 FRONTAL KEYS (N.5 WITH INTEGRATED SPOTLIGHT) N. 1 SIDE BUTTON (OPTIONAL) N. 1 EMERGENCY STOP BUTTON
LED	TOTAL 5 N. 5 PROGRAMMABLE SPOTLIGHT LEDS (PUSHBUTTONS INTEGRATED)
RADIO	433,92 MHz – 868MHz - HAMMING SECURITY CODE
AUTONOMY	UP TO 12 HOURS IN CONTINUOS TRANSMISSION
RECHARGE	8 HOURS (MAX)
CONNECTIONS	INTEGRATED BATTERY CHARGER CONNETOR (9÷36 VDC FROM EXTERNAL POWER SOURCE)
WORKING TEMPERATURE	-40°C +80°C
PROTECTION	IP54

ELECTRONIC FEATURES

INTERNAL SYSTEM CONTROL	LOGIC MICROPROCESSOR WATCHDOG
CYCLE TIME	< 10 mS



Scan me

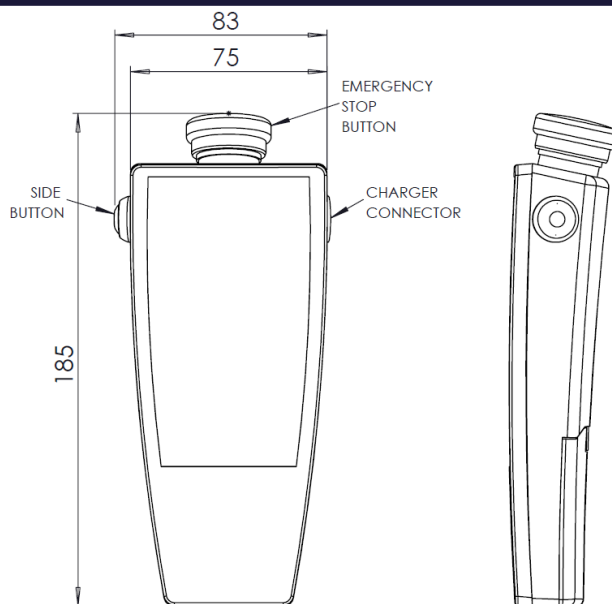


STANDARDS

ELECTROMAGNETIC (EMC)	ACCORDING TO DIRECTIVE 2014/30/EU: EN 61000-6-4 EN 61000-6-2 EN 50498
RADIO SPECTRUM MATTERS (RED)	ACCORDING TO DIRECTIVE 2014/53/EU: ETSI EN 300.220-1 ETSI EN 301.489-1 ETSI EN 301.489-3

ACCORDING WITH THE EN50498 THE DEVICE MEETS THE TECHNICAL SPECIFIC REQUIREMENTS OF 2004-104 DIRECTIVE (AUTOMOTIVE).

SIZE (mm)

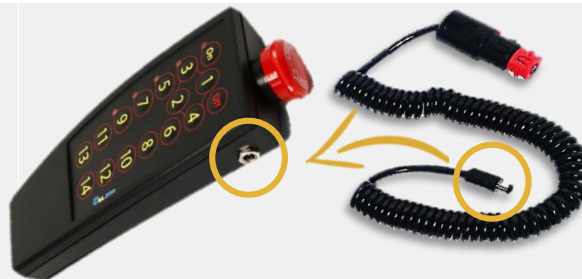


NOTE: THE BATTERY CHARGER CONNECTOR AND THE RIGHT SIDE BUTTON MAY BE EXCHANGED ON REQUEST

FEATURES

BATTERY CHARGER with spiral cable included
INPUT: 12/24 VDC

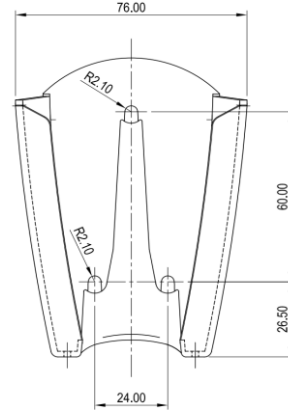
OPTIONAL:
BATTERY CHARGER with spiral cable
INPUT: 220/230 VAC





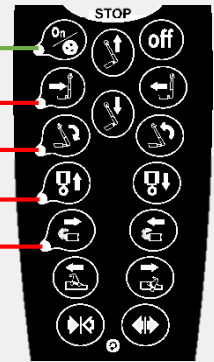
FEATURES

MOUNTING BRACKET
included



SPOTLIGHTS LABEL

BICOLOR SPOTLIGHT (GREEN-RED) ←
 MONOCROMATIC SPOTLIGHT (RED) ←
 MONOCROMATIC SPOTLIGHT (RED) ←
 MONOCROMATIC SPOTLIGHT (RED) ←
 MONOCROMATIC SPOTLIGHT (RED) ←



OPTIONAL:
PROTECTIVE FAUX LEATHER CASE
WITH SHOULDER BELT



CUSTOMIZABLE KEYBOARD GRAPHIC



CONFIGURATION SAMPLE (ALMEC PRODUCTS COMBINATION)

TECHNICAL FEATURES (SEE THE DATASHEET ON WEB FOR MORE INFORMATION)

MASTER CODE	RDC EVO
POWER SUPPLY	9 - 30 VDC
COMMUNICATION	NETWORK: CAN BUS 2.0B COMPLIANT – (11, 29 BIT) – ISO 11898-2 UP TO 1Mbit/s RADIO: 868 MHz / 434 MHz BAND
CONNECTIONS	MAIN: TE DEUTSCH DTF13-6P ANTENNA: SMA socket
CASE	ENCAPSULATED IN PUR RESIN - SELF-EXTINGUISHING UL94 (V0)



AL14R	RDC EVO
RADIO TRANSMITTER	RADIO RECEIVER



ALMEC
MECHATRONICS

NOTE