



The AL14 is a pushbutton designed for control applications of machines and equipment equipped with a CAN BUS network.

The device has an emergency button with dry contacts and 14 key keypad on which 5 of them has an integrated spotlight led. If required, a side button can be installed for custom application e.g., for duplicates the functionality of each button. The keyboard graphic can be customized to best fit the machine application.

The spiral cable and the rugged connector allow to stay away from the equipment, saving space.

TECHNICAL FEATURES

MASTER CODE		AL14
POWER SUPPLY		9-36 VDC / CURRENT ABSORPTION 25mA AT 24VDC (STAND BY MODE)
KEYS	TOTAL 16	MEMBRANE KEYBOARD WITH N. 14 FRONTAL KEYS N. 1 SIDE BUTTON (OPTIONAL) N. 1 EMERGENCY STOP BUTTON
LED	TOTAL 5	N. 5 PROGRAMMABLE SPOTLIGHT LEDS (PUSHBUTTONS INTEGRATED)
CAN BUS	1 PORT	2.0B COMPLIANT - (11, 29 BIT) - ISO 11898 - UP TO 1 Mbit/s
CAN BUS PROTOCOLS		CAN OPEN (CIA DS301 DEVICE PROFILE FOR GENERIC I/O MODULE, WITH DS306 EDS FILE) ON REQUEST: SAE J1939 - ISO 11783 (ISO BUS)
CONNECTION		SPIRAL CABLE SEE PAGE 2 FOR OPTIONS
WORKING TEMPERATURE		-20°C +60°C
PROTECTION		IP54

ELECTRONIC FEATURES

SLAVE USAGE	EDS FILE
PROGRAMMING	FIRMWARE UPLOAD BY CAN BUS WITH ALOADER SOFTWARE TOOL
CYCLE TIME	< 10 ms
EMERGENCY STOP BUTTON	35 VDC; 2 A



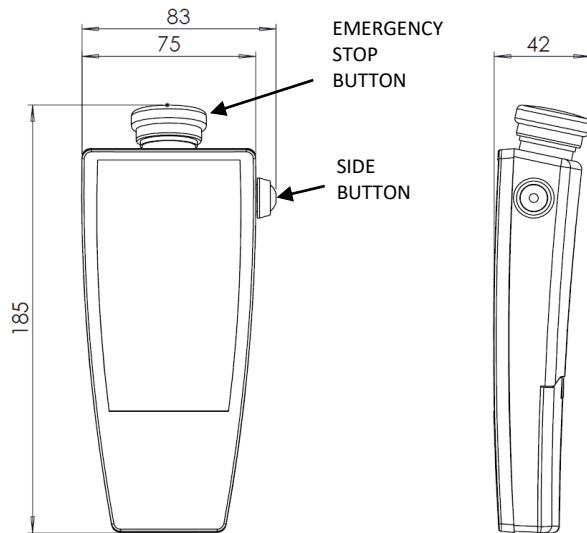


STANDARDS

ELECTROMAGNETIC (EMC)	ACCORDING TO DIRECTIVE 2014/30/EU: EN 61000-6-4 EN 61000-6-2 EN 50498
EMEGENCY STOP BUTTON	EN60947-5-1 EN60947-5-5 (manufacturer's specification)

ACCORDING WITH THE EN50498 THE DEVICE MEETS THE TECHNICAL SPECIFIC REQUIREMENTS OF 2004-104 DIRECTIVE (AUTOMOTIVE).

SIZE (mm)



NOTE: SIDE BUTTON CAN BE INSTALLED ON THE RIGHT OR LEFT ON REQUEST

ELECTRICAL CONNECTIONS AVAILABLE

SPIRAL CABLE L = 80 cm (EXTENDED L = 450 cm) - CUSTOMIZABLE LENGTH ON REQUEST

AMP SUPERSEAL 6 PIN CONNECTOR



UTG608P SOURIAU CONNECTOR



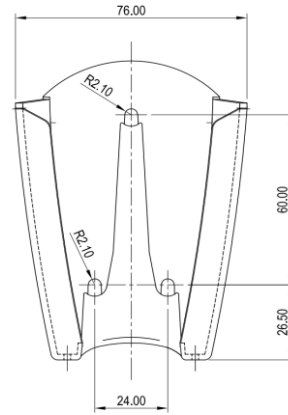
CAN VERSION CONNECTIONS PINOUT

PIN	COLOR	DESCRIPTION
1	BROWN	POSITIVE POWER SUPPLY
2	ORANGE	CAN H
3	WHITE	NEGATIVE POWER SUPPLY
4	YELLOW	CAN L
5	VIOLET	EMERGENCY BUTTON DRY CONTACT
6	TURQUOISE	EMERGENCY BUTTON DRY CONTACT



FEATURES

MOUNTING BRACKET
included



SPOTLIGHTS LABEL

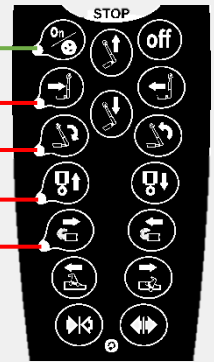
BICOLOR SPOTLIGHT (GREEN-RED)

MONOCROMATIC SPOTLIGHT (RED)

MONOCROMATIC SPOTLIGHT (RED)

MONOCROMATIC SPOTLIGHT (RED)

MONOCROMATIC SPOTLIGHT (RED)



CUSTOMIZABLE KEYBOARD GRAPHIC





ALMEC
MECHATRONICS

NOTE