



AL.MEC

M E C H A T R O N I C S



ALM04

**4,3" DIGITAL
LCD DISPLAY**



TECHNICAL FEATURES

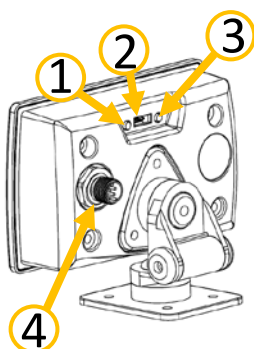
MASTER CODE	ALM04
POWER SUPPLY	9 ÷ 36 VDC / 20 mA CURRENT ABSORPTION AT 24 VDC (STAND BY MODE)
CAN BUS	2.0 A/B COMPLIANT - (11, 29 BIT) - ISO 11898 - UP TO 1MBIT/S
CAN BUS PROTOCOLS	CAN OPEN (CIA DS301 DEVICE PROFILE FOR GENERIC I/O MODULE), WITH DS306 EDS FILE - SAE J1939 - ISO 11783 (ISO BUS) - FMS
SERIAL	RS232 UP TO 115200 BAUD
COMMUNICATIONS	MICRO USB CONNECTORS (LOAD AND UPLOAD SOFTWARES AND DATA)
I/O DETAILS OPTION DETAILS	SEE PAGE 3
WORKING TEMPERATURE	-20°C +70°C
LCD TYPE	TFT TRANSMITTIVE
DOT MATRIX	480 (RGB) X 272
VISUAL AREA	95.04 (W) X 53.856 (H) mm

ELECTRONIC FEATURES

SLAVE USAGE	BY EDS FILE (CODESYS COMPATIBLE)
MASTER USAGE	BY STANDARD C PROGRAM LANGUAGE
PROGRAMMING	FIRMWARE UPLOAD BY CAN BUS WITH ALOADER SOFTWARE TOOL CO.DE.SYS - programmable
CYCLE TIME	50 mS

STANDARDS

ELECTROMAGNETIC EMISSIONS	EN 61000-6-4// EN 55011 (RF RADIATE)
ELECTROMAGNETIC IMMUNITY	EN 61000-6-2// EN 61000-4-2/3/4/6
IN ACCORDANCE WITH THE EN50948 THE DEVICE MEETS THE TECHNICAL SPECIFIC REQUIREMENTS OF 2004-104 DIRECTIVE (AUTOMOTIVE). THE DEVICE IS EMC 2004/108 COMPLIANT.	



DETAILS

1	SETTINGS / SHIFT BUTTON
2	MICRO-USB CONNECTOR
3	SELECT BUTTON
4	M12 - 4 / 8 POLES, MALE SCREW CONNECTOR



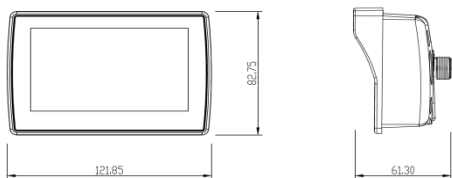


AL.MEC

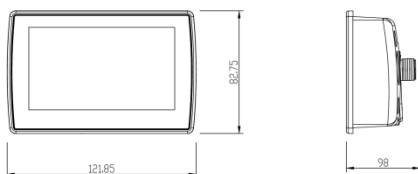
M E C H A T R O N I C S

PURCHASING CODE : ALM04.A/B.S/P.CB/RS.CT

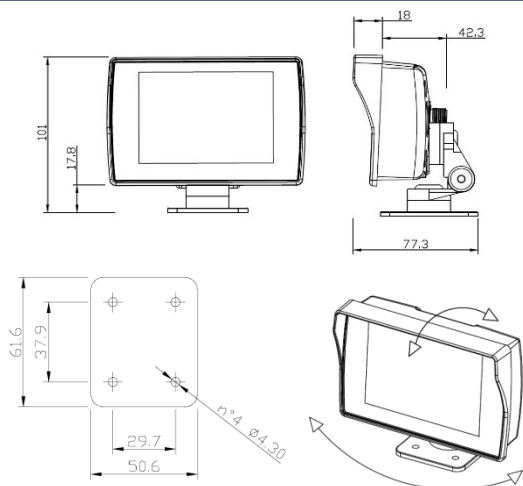
ALM04.A - SUNSHADE VERSION



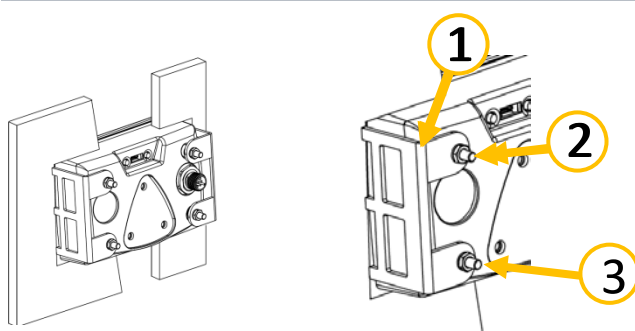
ALM04.B - PANEL VERSION



BRACKET MOUNTING : S



KIT PANEL MOUNTING : P



DETAILS

- | | |
|---|--------------------------------|
| 1 | BRACKET |
| 2 | SPECIAL DOUBLE SCREW M4 x 2,65 |
| 3 | SPECIAL DOUBLESREW M4 x 7,40 |

CAPACITIVE TOUCH SCREEN VERSION : CT

WITH CAPACITIVE TOUCHSCREEN



CAN BUS VER. – M12 MALE 8 PIN A-CODEC CONNECTOR : CB

- | | |
|---|-----------------------|
| 1 | POSITIVE POWER SUPPLY |
| 2 | CAN2H |
| 3 | CANH |
| 4 | CAN2L |
| 5 | NEGATIVE POWER SUPPLY |
| 6 | INPUT1 |
| 7 | CANL |
| 8 | INPUT2 |

SERIAL VER. – M12 MALE 8 PIN A-CODEC CONNECTOR : RS

- | | |
|---|-----------------------|
| 1 | POSITIVE POWER SUPPLY |
| 2 | RS232 |
| 3 | CANH |
| 4 | RX232 |
| 5 | NEGATIVE POWER SUPPLY |
| 6 | INPUT1 |
| 7 | CANL |
| 8 | INPUT2 |



INPUT/OUTPUT DISPOSALS

UP TO 8 ANALOG INPUT

UP TO 12 DIGITAL INPUT

UP TO 4 DIGITAL /PWM OUTPUT

CONTACT US FOR CUSTOM APPLICATIONS