



ALMEC

MECHATRONICS



AL50R.CE.S00

AL50R.UL.S00

**CE - CONSOLLE TX / RX
RADIO REMOTE CONTROLLER**

**UL - CONSOLLE TX / RX
RADIO REMOTE CONTROLLER**



TECHNICAL FEATURES

MASTER CODE	AL50R.00
POWER SUPPLY	9,6V 700mA RECHARGEABLE BATTERY 9..36V EXTERNAL POWER
CAN BUS	CANOPEN – CAN BUS 2.0B COMPLIANT – (11, 29 BIT) – ISO 11898-2 UP TO 1MBIT/S
RADIO	CE: 868 MHz BAND, 12 CHANNELS, OUTPUT POWER MAX 10mW UL: 2,4GHZ BAND, 77 CHANNELS, 15 BIT DSSS MODULATION, OUTPUT POWER MAX 10mW BIDIRECTIONAL LINK
WI-FI	IEEE802.11 b/g/n FOR REMOTE MONITORING – DIAGNOSTICS (OPTIONAL)
RFID	13,56 MHz, ISO15693, ISO14443A, ISO14443B COMPLIANT (OPTIONAL)
AUTONOMY	UP TO 8 HOURS IN CONTINUOUS TRANSMISSION
RECHARGE	2 HOURS WITH AUTOMATIC INTEGRATED FAST BATTERY CHARGER

ELECTRONIC FEATURES

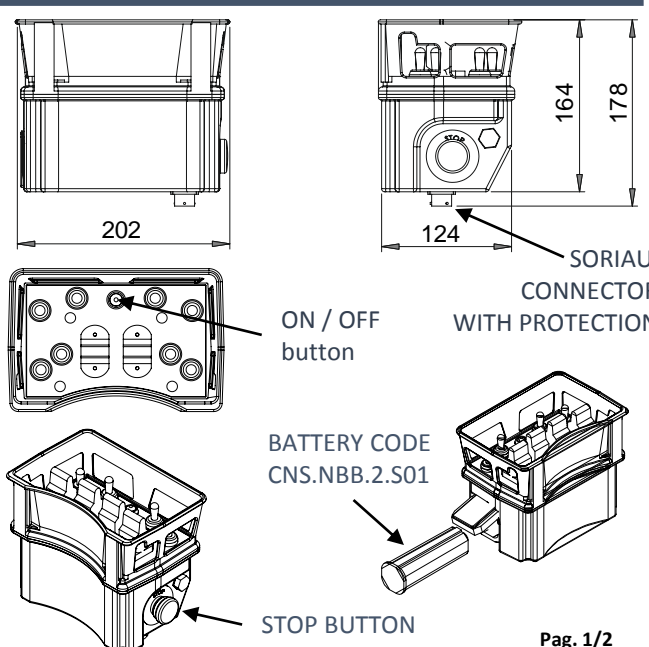
SLAVE USAGE	BY EDS FILE (CODESYS COMPATIBLE)
PROGRAMMING	FIRMWARE UPLOAD BY CAN BUS WITH ALOADER SOFTWARE TOOL
CYCLE TIME	LESS THAN 50ms

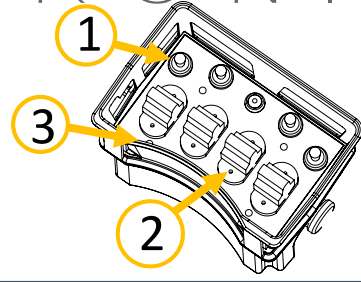
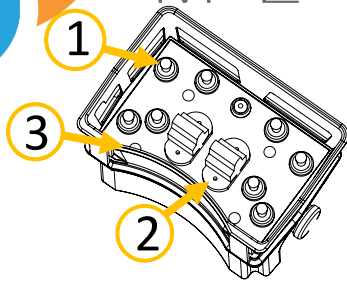
STANDARDS

ELECTROMAGNETIC EMISSIONS	EN 61000-6-4// EN 55011
ELECTROMAGNETIC IMMUNITY	EN61000-6-2// EN 61000-4-2/3/4/6
RADIO SPECTRUM MATTERS	CE: ETSI 300.220.1 // ETSI 301.489.1 UL: U.S. FCC Part 15.247, IC RSS-210
EMERGENCY PUSH-BUTTON	EN418
IP	IP54

IN ACCORDANCE WITH THE EN50948 THE DEVICE MEETS THE TECHNICAL SPECIFIC REQUIREMENTS OF 2004-104 DIRECTIVE (AUTOMOTIVE). THE DEVICE IS EMC 2004/108 COMPLIANT.

SIZE





CONSOLE CONFIGURATION (1)

1	N° 8 ON / OFF BUTTON
2	N° 2 PROPORTIONAL JOYSTIC (1 AXLE)
3	N° 4 PROGRAMMABLE LED

CODE

AL50R.CE.S01	CE VERSIONS
AL50R.UL.S01	UL - VERSIONS

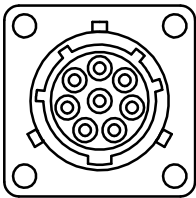
CONSOLE CONFIGURATION (2)

1	N° 4 ON / OFF BUTTON
2	N° 4 PROPORTIONAL JOYSTIC (1 AXLE)
3	N° 4 PROGRAMMABLE LED

CODE

AL50R.CE.S02	CE VERSIONS
AL50R.UL.S02	UL - VERSIONS

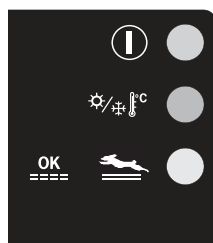
COUPLING IP65 CONNECTORS (SORIAU CODE : UT012JCS)



A	GROUND
B	POSITIVE SUPPLY
C	CANH

D	CANL
E	STOP PUSHBUTTON FREE CONTACT
F	STOP PUSHBUTTON FREE CONTACT

CHARGE BATTERY

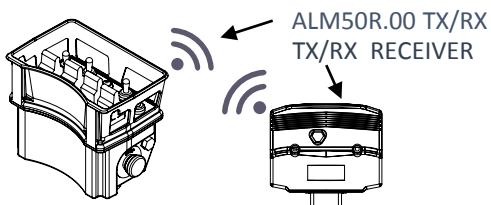


QUICK BATTERY CHARGER : CODE CNS.NBB.3.S01

SIGNALLING LEDS

GREEN	READY FOR OPERATION
RED	BATTERY TEMPERATURE TOO HIGH OR TOO LOW
YELLOW	ON - CHARGE // FLASHES - CHARGE MAINTAINING

SAMPLE CONFIGURATIONS (ALMEC PRODUCTS COMBINATION)



CONFIGURATIONS

1 a 1	1 ALM50R.00 - 1 TX/RX (RD.CAN.S01)
1 a N	1 ALM50R.00 - N. TX/RX (RD.CAN.S01)
N a 1	N. ALM50R.00 - 1 TX/RX (RD.CAN.S01)